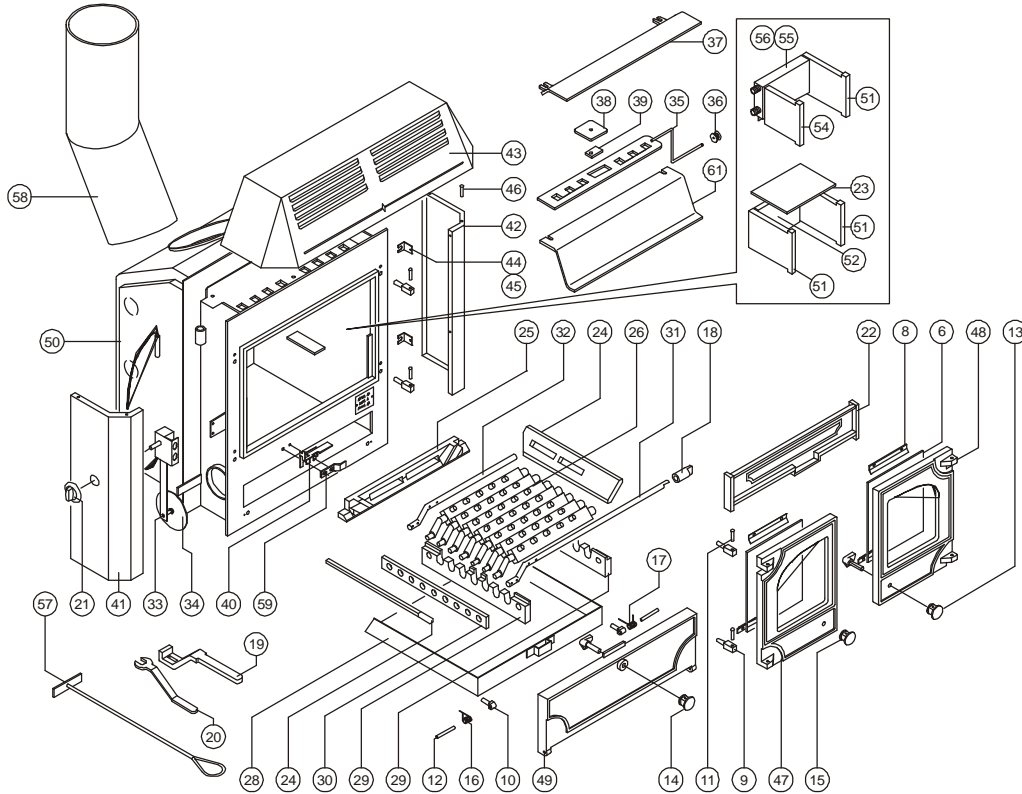


Parts List



Item	Part No.	Description	Item	Part No.	Description
1*	008/EW35L	L.H. Door Seal	36	002/TW13	Air Control Knob
2*	008/EW35R	R.H. Door Seal	37	012/HV08	Airwash Cover Plate
3*	008/EW36	Ashpit Door Seal	38	012/HV09/2	Airwash Slide Retainer
4*	008/EW35S	Door Seal Set Inc Adhesive	39	012/HV09/3	Airwash Slide Guide
5*	008/FW29	Door Seal Adhesive	40	004/BW46	Over Run Catch
6	006/FW30	Glass (inc. Glass Channel)	41	005/WW05L#	Side Panel L.H.
7*	008/EW44/S	Glass Channel (Set Of 8)	42	005/WW05R#	Side Panel R.H.
8	004/EW23	Glazing Bar	43	005/HV06#	Hood Panel
9	008/FW27	Hinge Post	44	004/WW13	Panel Fixing Bracket
10	008/FW28	Hinge Pin	45	012/WW30	Hood & Panel Fixing Kit
11	008/BW39/S	Hinge Pin Set (4 per set)	46	008/WW14S	Hood Fixing Pin Set (4)
12	008/BW40/S	Hinge Pin A/P Door Set	47	003/EW01#	Door L.H.
13	008/BW41/A	Door Seal Assembly R.H.	48	003/EW02#	Door R.H.
14	008/BW42/A	Door Catch Assembly Ashpit	49	003/FW03#	Ashpit Door
15	002/BW12	Door Knob L.H.	50	001/HV10	Firebox (DX20i MkII)
16	008/BW43L	Ashpit Door Spring L.H.	51	011/AV28	Side Firebrick
17	008/BW43R	Ashpit Door Spring R.H.	52	011/AV29	Rear Firebrick
18	002/CG06	Riddler Knob	53	011/AV28S	Set of Firebricks
19	002/BW20	Riddler/Ashpan Tool	54	011/AV27	Short Side Firebrick (Use with boiler) ...
20	002/BW26	Door Opening Tool	55	010/AV25	Add-In Boiler (Steel)
21	008/BW50	Thermostat Knob	56	010/AV25/SS	Add-In Boiler (Stainless Steel)
22	002/FW07	Front Firebar	57	012/FW34	Scraper Tool
23	002/AV31	Throat Plate	58	010/AV12	150° Flue Pipe (Optional Extra)
24	002/HW15	Side Fire Plate	59	012/BW45	Ashpit Door Bracket
25	002/HW16	Back Fire Plate	60*	010/EW51	Ash Carrier (Optional Extra)
26	002/CG01	Bottom Grate Bar	61	010/HV05	Airwash Manifold
27	002/CG01S7	Set Of Grate Bars (7per set)			
28	004/EW17	Ashpan			
29	002/HW30	Carrier Bar			
30	012/HW33	Mover Bar			
31	012/FW14	Riddler Rod			
32	012/CG05	Idler Rod			
33	008/BW49	Thermostat C/W Flap			
34	008/BW57	Thermostat Flap 90mm dia			
35	012/HV09	Airwash Slide			

* These items are not shown on the drawing.
Please specify colour when ordering.



To obtain spare parts please contact your local stockist giving Model, Part No. and Description. In case of difficulty contact the manufacturer at the address shown. This drawing is for identification purposes only.